

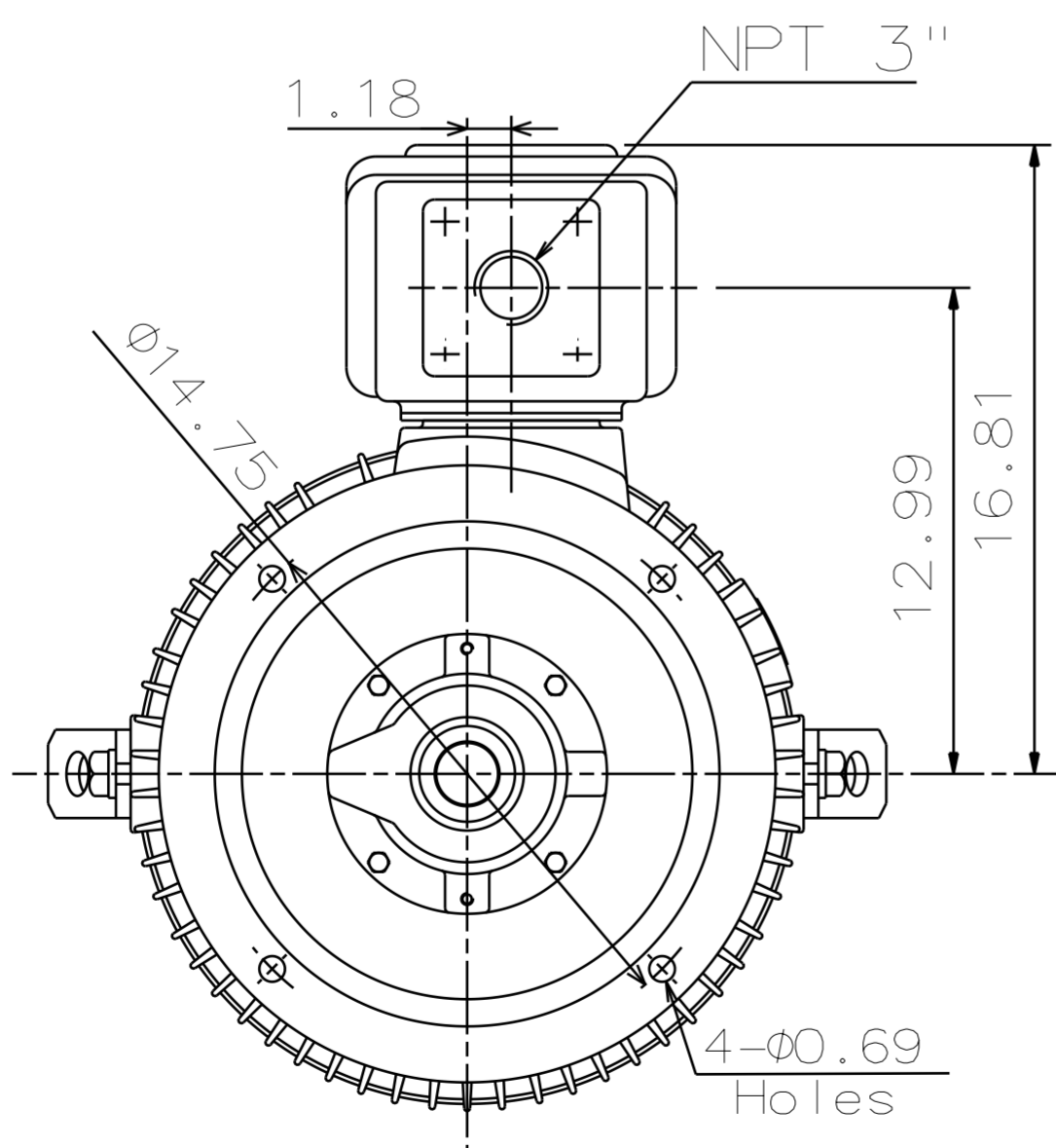
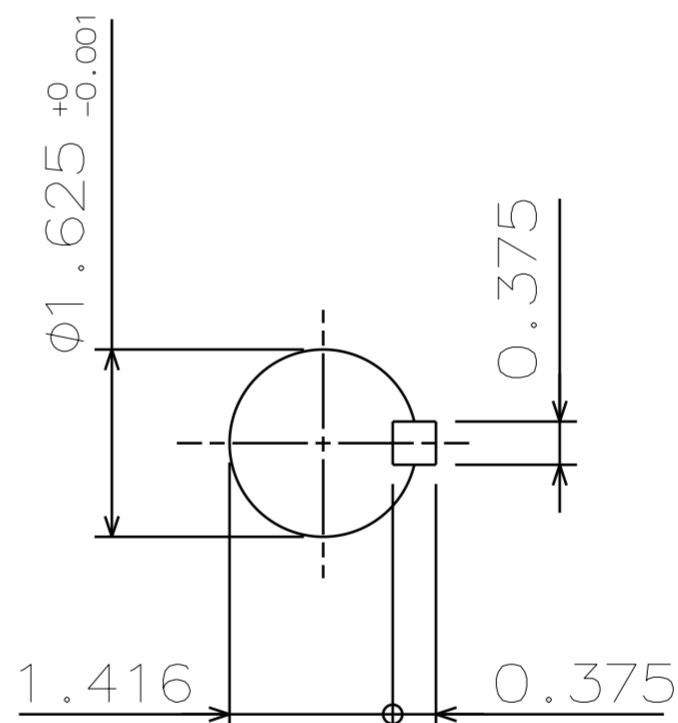
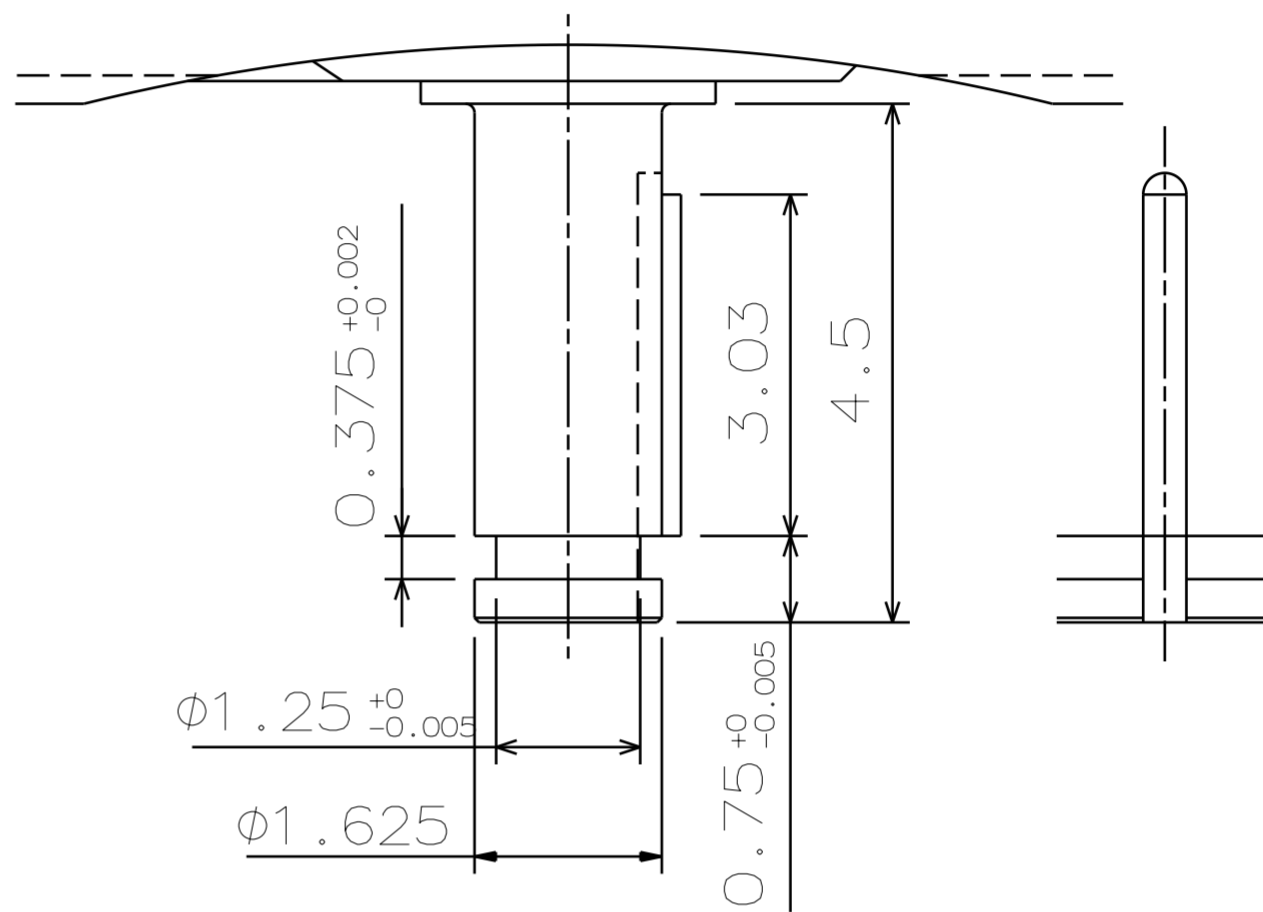
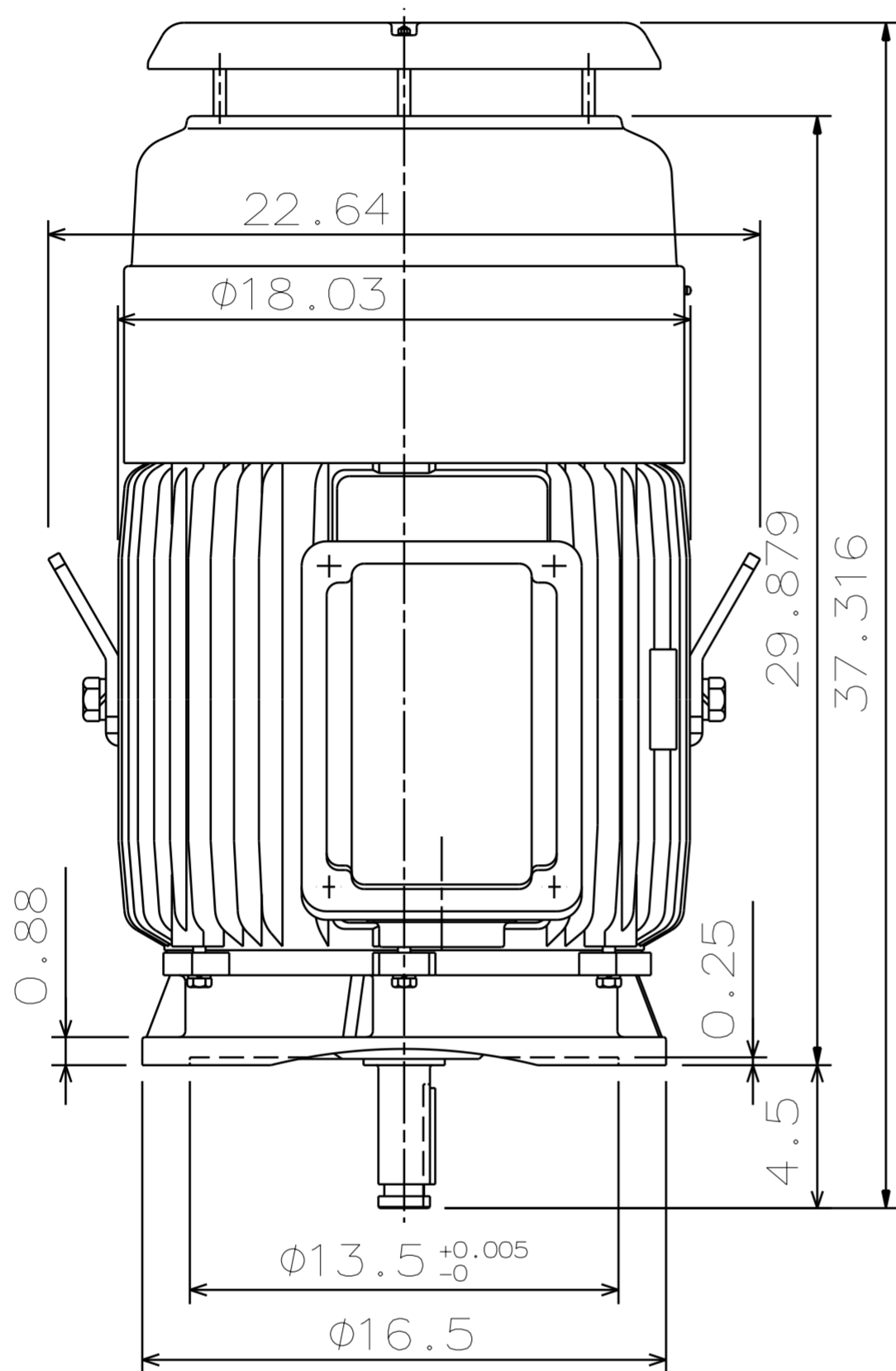


CATALOG NUMBER: VSTP0604	OUTLINE DIMENSIONS 3-PHASE INDUCTION MOTOR	MOTOR TYPE: AEEHED
DATE SEP-29-2017		FRAME NO. 364VP

Pole	HP	kW	Hz	VOLT	Syn. Speed r/min(rpm)
4	60	45	60	230/460	1800

Ins	Rating	Dimension in	Approx Weight	Bearings
F	CONT.	inches	900 LBS	DE:6313C3 NDE:7318B

Totally Enclosed Fan-Cooled Type. Squirrel-Cage Rotor.



NOTE:

1. CLASS F INSULATION, S.F.: 1.15
2. FOR DIRECT COUPLING.
3. ROTATION: CCW [VIEW FROM TOP].
4. WITH NON-REVERSE RATCHET MECHANISM.
5. DOWNTHRUST: 6000 LBS (L10-8800HRS)
6. SPACE HEATER RATED AT 120 VOLT, SINGLE PHASE, 109 WATTS, LEADS TERMINATE IN MAIN LEAD BOX.

□			
---	--	--	--

DWN.	K.L.KUO	09.30.08
CHKD.	K.L.KUO	10.06.08
APPD.	M.C.TSAI	10.06.08



DWG NO.
31057H178680